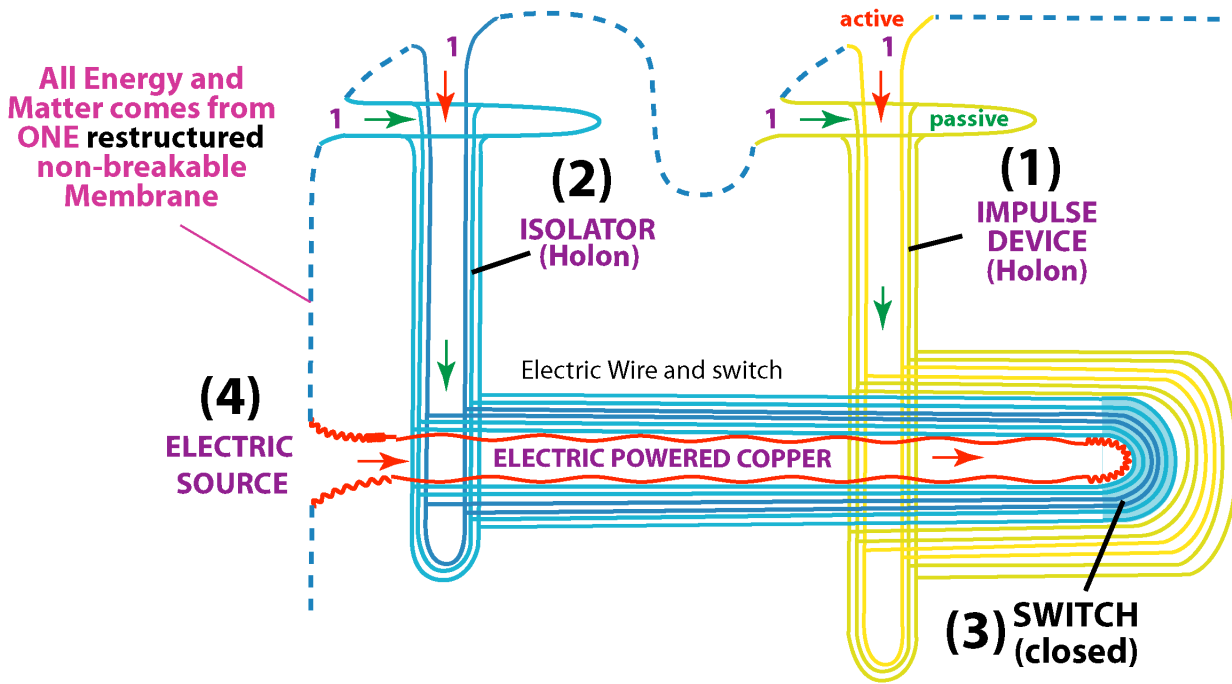


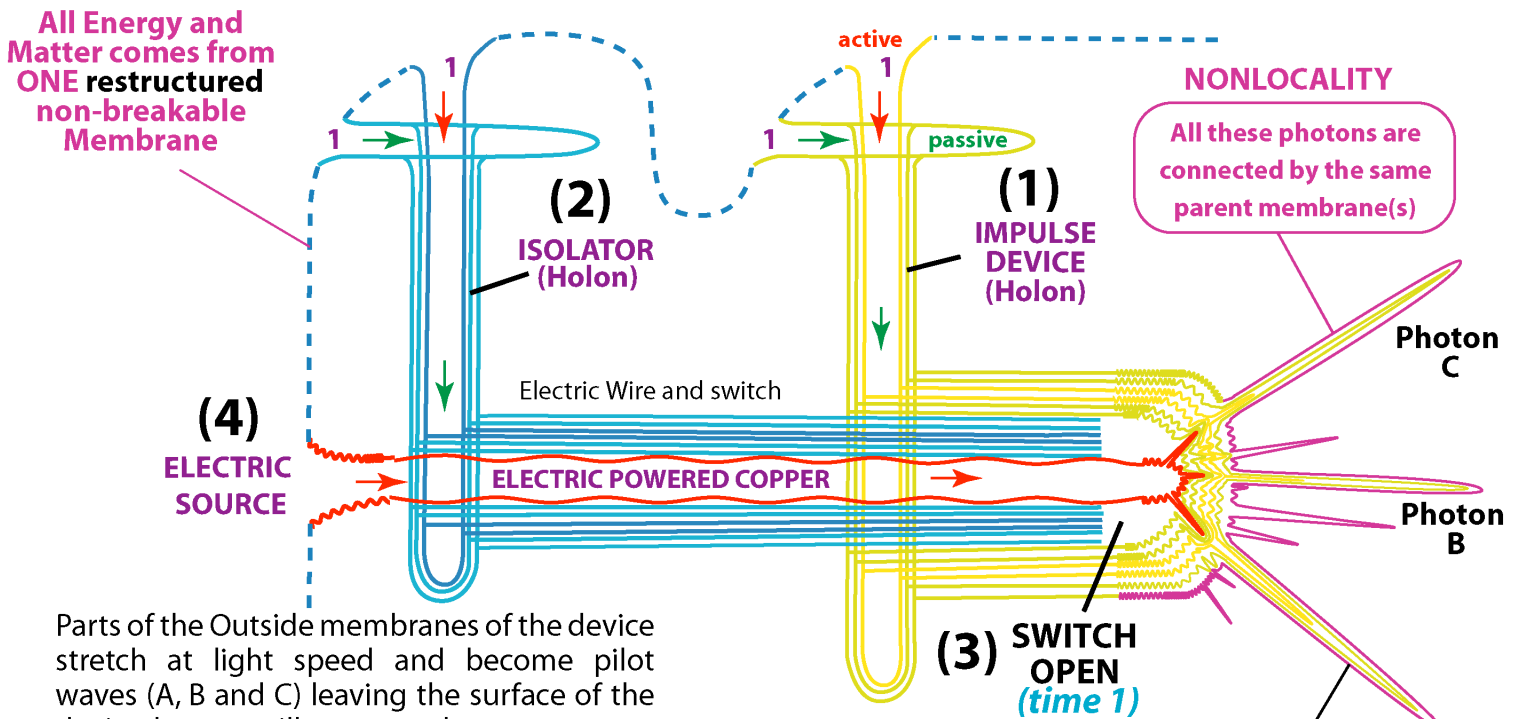
EXPERIMENT - ALAIN ASPECT EXPLAINED WITH MEMBRANE-HOLON CAUSALITY CONCEPT

(only one postulate: There is a non-breakable very elastic membrane)

An electric device is set up. The switch is **closed**.



The switch is yet **opened** and the Electric membrane excites now the membranes of the electric device.



Parts of the Outside membranes of the device stretch at light speed and become pilot waves (A, B and C) leaving the surface of the device, but are still connected.

The photons (pilot waves) - provoked during **that** periode (of opening the switch) - have a familiar membrane, and thus ... are **RELATED**.

The next opening of the switch (time 2), the time2 photons or electrons may have another "spin", but will be again inter-related.

De Broglie pilot wave
when the pilot wave hits a sensor
it *'handshakes'* its energy and withdraws
(measured as a point = called a *'Particle'*)